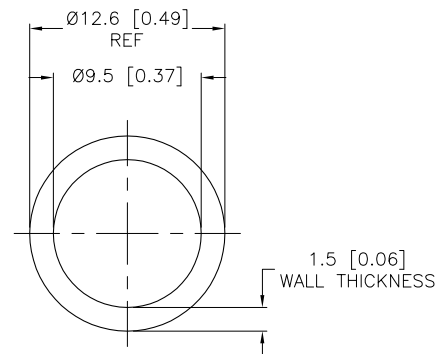


SPECIFICATIONS


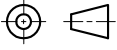
MATERIAL	60 DURO TRANSLUCENT SILICONE RUBBER
TEMPERATURE RATING	232°C (450°F)
TENSILE STRENGTH	1275 PSI
ELONGATION	400%
TEAR STRENGTH, DIE B	100 PPI



SOURCE DRAWING - FOR REFERENCE ONLY

NOTES:

1. 10 - 6.00 INCH PIECES OF SILICONE TUBING PER BAG.

RELATED DOCUMENTS		3RD ANGLE PROJECTION		THIS DRAWING IS PROPERTY OF TURCK INC. USE OF THIS DOCUMENT WITHOUT WRITTEN PERMISSION IS PROHIBITED.		 High Technology Sensors and Automation Controls		3000 CAMPUS DRIVE MINNEAPOLIS, MN 55441 1-800-544-7769 (763) 553-7300 (763) 553-0708 fax turck.com	
1. 2. 3. 4.				DRFT RWC		DATE 04/16/07		DESCRIPTION	
MATERIAL		ALL DIMENSIONS DISPLAYED ON THIS DRAWING ARE FOR REFERENCE ONLY		DSGN		SCALE 1=5		ST ID 3/8-INCH (10/BAG-6IN)	
SEE SPECIFICATIONS		CONTACT TURCK FOR MORE INFORMATION		UNIT OF MEASUREMENT		IDENTIFICATION NO.		REV	
FINISH		MILLIMETER [ INCH ]		DO NOT SCALE THIS DRAWING		A9225		A	
SEE SPECIFICATIONS		FILE: A9225		SHEET 1 OF 1					

A	DRAWING RELEASE	RWC	04/18/07	
REV	DESCRIPTION	BY	DATE	ECO NO.